

# EDR-8010 Series

8 FE copper and 2 GbE SFP multiport industrial secure routers



## Features and Benefits

- Industrial-grade Intrusion Prevention/Detection System (IPS/IDS)
- 8 FE + 2 Gigabit port all-in-one firewall/NAT/VPN/router/switch
- Visualize OT security with the MXsecurity management software
- Secure remote access tunnel with VPN
- Examine industrial protocol data with Deep Packet Inspection (DPI) technology
- Easy network setup with Network Address Translation (NAT)
- RSTP/Turbo Ring redundant protocol enhances network redundancy
- Developed according to IEC 62443-4-2 with Secure Boot
- -40 to 75°C operating temperature range (-T model)

## Certifications



## Introduction

The EDR-8010 Series is a set of highly integrated industrial multi-port secure routers with firewall/NAT/VPN and managed Layer 2 switch functions. These devices are designed for Ethernet-based security applications in critical remote control or monitoring networks. These secure routers provide an electronic security perimeter to protect critical cyber assets including substations in power applications, pump-and-treat systems in water stations, distributed control systems in oil and gas applications, and PLC/SCADA systems in factory automation.

## Defend Against Malicious Threats With Advanced Cybersecurity Features

The EDR-8010 Series' embedded firewall uses policy rules to control network traffic between trusted zones while Network Address Translation (NAT) shields the internal network from unauthorized access by outside hosts. The Virtual Private Networking (VPN) functionality further provides users with secure communication tunnels when accessing the private network from the public Internet. To help protect your OT assets from cyberattacks, the EDR-8010 Series supports Deep Packet Inspection (DPI) to examine the data portion of network packets for various OT-specific protocols.

## Simplify Configurations With the User-friendly Interface and Quick Settings

The EDR-8010 Series' Setup Wizard provides an easy way for users to set up WAN, LAN, and Bridge ports for routing functionality in just four steps. In addition, the object-based firewall management feature gives engineers a simple way to configure and maintain firewall filtering for IP addresses and subnets, network services, industrial application services, and user-defined services.

## Industrial-grade Design to Ensure Uninterrupted Network Connectivity

The EDR-8010 Series' rugged hardware makes these secure routers ideal for harsh industrial environments, featuring wide-temperature models that are built to operate reliably in hazardous conditions and extreme temperatures of -40 up to 75°C. Moreover, the EDR-8010 Series supports comprehensive Layer 2 and Layer 3 redundancy mechanisms to ensure that your network stays connected at all times.

## Virtual Patching and Intelligent Threat Protection

Patching remains a major challenge in OT environments because OT applications cannot afford interrupting operations by shutting down systems to apply patches. Virtual patching technology can help complement existing patch management processes by shielding known and unknown vulnerabilities. In addition, the EDR-8010 features intelligent IPS functionality for continuous protection against cyberthreats which uses pattern-based detection to identify and block known attacks.

## MX-ROS Addresses Growing Cybersecurity Threats

Moxa's MX-ROS (<https://www.moxa.com/en/spotlight/portfolio/mx-ros/index>) is a software platform for industrial security routers and firewalls. The platform supports the robust security and user-friendly operation of secure routers through simplified web and CLI interfaces. In addition to adhering to IEC 62443-4-2, MX-ROS devices offer a wealth of the latest cross-industry Operational Technology (OT) network management features with each release to safeguard hardware and software.

## Specifications

### Input/Output Interface

Alarm Contact Channels	Resistive load: 1 A @ 24 VDC
Buttons	Reset button
Digital Input Channels	+13 to +30 V for state 1 -30 to +3 V for state 0 Max. input current: 8 mA

### Ethernet Interface

10/100BaseT(X) Ports (RJ45 connector)	8
1000BaseSFP Slots	2
Standards	IEEE 802.3 for 10BaseT IEEE 802.3u for 100BaseT(X) IEEE 802.3z for 1000BaseSX/LX/LHX/ZX IEEE 802.3x for flow control IEEE 802.1Q for VLAN Tagging IEEE 802.1X for authentication Static Port Trunk
DMZ	User-configurable DMZ ports

### Ethernet Software Features

Broadcast Forwarding	IP directed broadcast, broadcast forwarding
Management	Back Pressure Flow Control DDNS DHCP Server/Client Web Console (HTTP/HTTPS) LLDP QoS/CoS/ToS SNMPv1/v2c/v3 Telnet TFTP HTTPS SSH
Redundancy Protocols	RSTP STP Turbo Ring v2
Routing Throughput	Max. 50K packets per second / 500 Mbps (based on RFC 2544)
Routing Table	Max. 4K routing rules
Concurrent Connections	Max. 120K (based on RFC 3511)
Connections Per Second	Max. Max. 6K (based on RFC 3511)
Routing Redundancy	VRRP
Security	Secure Boot IPsec L2TP (server) RADIUS Trust access control
Time Management	NTP Server/Client SNTP
Unicast Routing	OSPF RIPV1/V2 Static Route

Multicast Routing	Static Route
Filter	IGMP v1/v2/v3
<b>Switch Properties</b>	
VLAN ID Range	VID 1 to 4094
IGMP Groups	256
Max. No. of VLANs	16
<b>LED Interface</b>	
LED Indicators	PWR1, PWR2, STATE, MSTR/H.TC, CPLR/T.TC, VRRP/HA, VPN, USB
<b>DoS and DDoS Protection</b>	
Technology	ARP-Flood FIN Scan ICMP-Death NEWWithout-SYN Scan NMAP-ID Scan NMAP-Xmas Scan Null Scan SYN/FIN Scan SYN/RST Scan SYN-Flood Xmas Scan
<b>Firewall</b>	
Filter	DDoS Ethernet protocols ICMP IP address MAC address Ports
Stateful Inspection	Router firewall Transparent (bridge) firewall
Deep Packet Inspection	Modbus TCP Modbus UDP DNP3 IEC 60870-5-104 IEC 61850 MMS EtherNet/IP Omron FINS Siemens S7 Comm. Additional protocols will be supported through future firmware updates.
Intrusion Prevention System	Requires an additional license.
Throughput	Firewall: Max. 50K packets per second / 500 Mbps (based on RFC 2544)
<b>IPsec VPN</b>	
Authentication	MD5 and SHA (SHA-256) RSA (key size: 1024-bit, 2048-bit) X.509 v3 certificate
Concurrent VPN Tunnels	Max. 50 IPsec VPN tunnels
Encryption	DES 3DES AES-128 AES-192 AES-256

Protocols	IPsec L2TP (server) PPTP (client)
Throughput	Conditions: AES-256, SHA-256 Max. 25K packets per second / 200 Mbps (based on RFC 2544)

## NAT

Features	1-to-1 N-to-1 Port forwarding NAT loopback
----------	---

## Real-Time Firewall / VPN Event Log

Event Type	Firewall event VPN event
Media	Local storage SNMP Trap Syslog server

## Serial Interface

Console Port	RS-232 (TxD, RxD, GND), 3-pin (115200, n, 8, 1)
Connector	USB Type-C

## Power Parameters

Connection	Removable terminal block
Operating Voltage	9.6 to 60 VDC
Input Voltage	12/24/48 VDC, redundant dual inputs (DNV-certified for 24 VDC)
Input Current	0.53 A @ 12 VDC 0.26 A @ 24 VDC 0.14 A @ 48 VDC
Reverse Polarity Protection	Supported

## Physical Characteristics

Housing	Metal
Dimensions	45 x 135 x 105 mm (1.77 x 5.31 x 4.13 in)
Weight	520 g (1.15 lb)
Installation	DIN-rail mounting (DNV-certified) Wall mounting (with optional kit)

## Environmental Limits

Operating Temperature	Standard Models: -10 to 60°C (14 to 140°F) Wide Temp. Models: -40 to 75°C (-40 to 167°F) All Models: DNV-certified for -25 to 70°C (-13 to 158°F)
Storage Temperature (package included)	-40 to 85°C (-40 to 185°F)
Ambient Relative Humidity	5 to 95% (non-condensing)

## Standards and Certifications

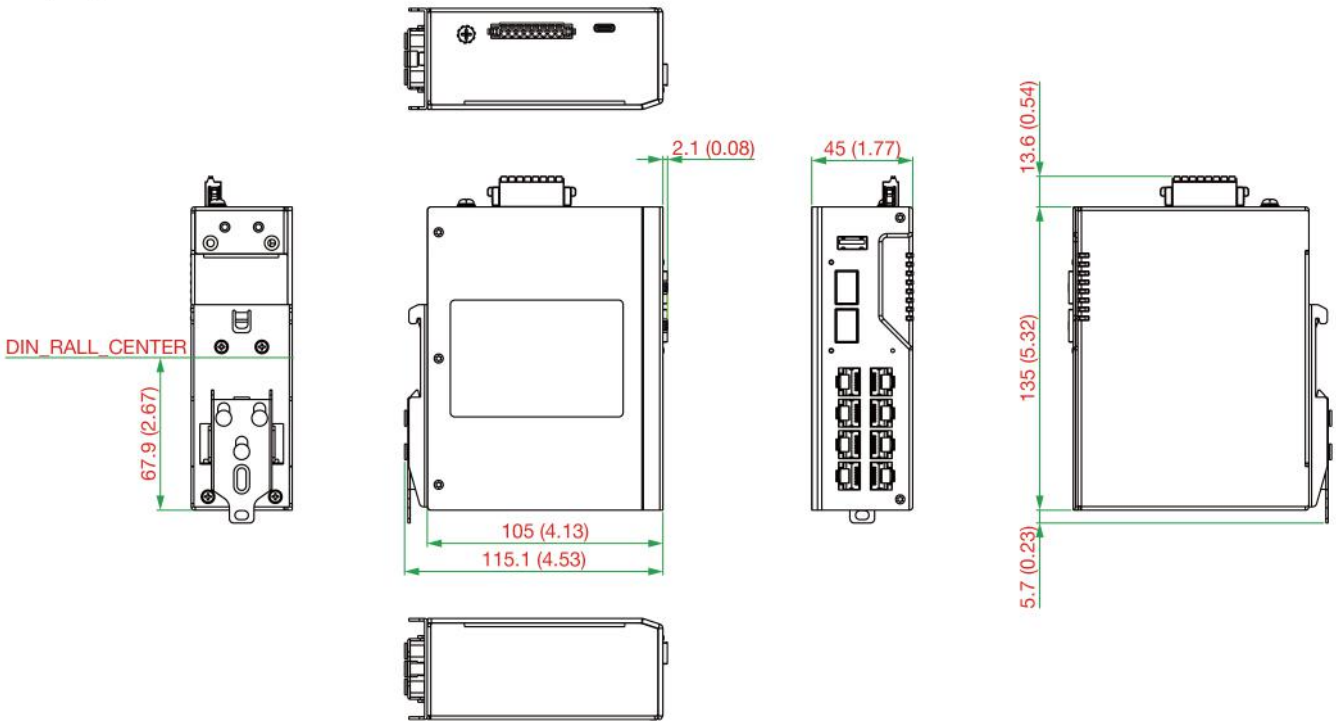
Safety	IEC 62368-1 UL 62368-1
EMC	EN 55032/35

EMI	CISPR 32, FCC Part 15B Class A
EMS	IEC 61000-4-2 ESD: Contact: 8 kV; Air: 15 kV IEC 61000-4-3 RS: 80 MHz to 1 GHz: 20 V/m IEC 61000-4-4 EFT: Power: 4 kV; Signal: 4 kV IEC 61000-4-5 Surge: Power: 2 kV; Signal: 4 kV IEC 61000-4-6 CS: 10 V IEC 61000-4-8 PFMF
Railway	EN 50121-4
Traffic Control	NEMA TS2
Maritime	IEC 60945 DNV
Shock	IEC 60068-2-27
Freefall	IEC 60068-2-32
Vibration	IEC 60068-2-6
Power Substation	IEC 61850-3 Edition 2.0 IEEE 1613
Hazardous Locations	ATEX Class I Division 2 IECEX
<b>MTBF</b>	
Time	1,347,225 hrs
Standards	Telcordia (Bellcore), GB
<b>Warranty</b>	
Warranty Period	5 years
Details	See <a href="http://www.moxa.com/warranty">www.moxa.com/warranty</a>
<b>Package Contents</b>	
Device	1 x EDR-8010 Series secure router
Cable	1 x DB9 female to USB Type-C
Installation Kit	4 x cap, plastic, for RJ45 port 2 x cap, plastic, for SFP slot
Documentation	1 x quick installation guide 1 x warranty card
Note	SFP modules need to be purchased separately for use with this product.

## Dimensions

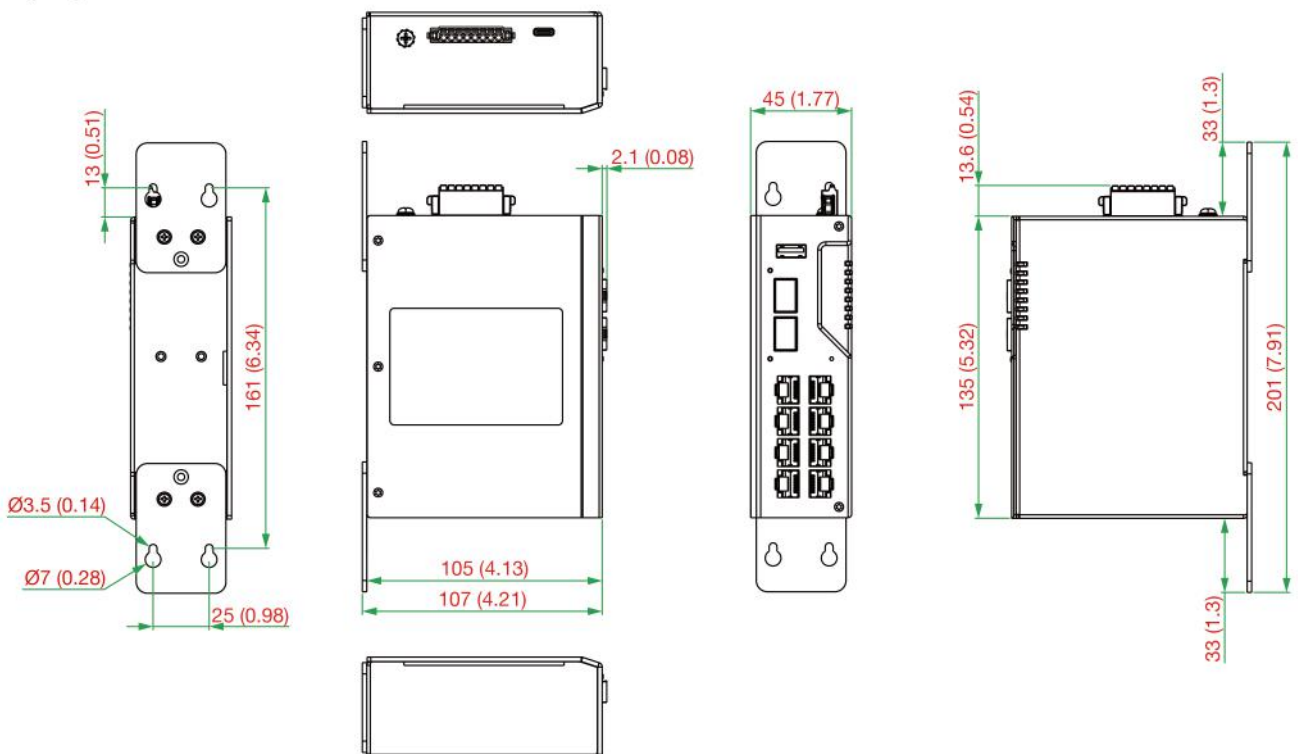
### DIN-rail Mount

Unit: mm (inch)



### Wall Mount

Unit: mm (inch)



## Ordering Information

Model Name	10/ 100BaseT(X) Ports (RJ45 Connector)	1000 BaseBaseSFP Slots	Firewall	NAT	VPN	Input Voltage	Conformal Coating	Operating Temp.
EDR-8010-2GSFP	8	2	✓	✓	–	12/24/48 VDC	–	-10 to 60°C
EDR-8010-2GSFP-T	8	2	✓	✓	–	12/24/48 VDC	–	-40 to 75°C
EDR-8010-2GSFP-CT	8	2	✓	✓	–	12/24/48 VDC	✓	-10 to 60°C
EDR-8010-2GSFP- CT-T	8	2	✓	✓	–	12/24/48 VDC	✓	-40 to 75°C
EDR-8010-VPN- 2GSFP	8	2	✓	✓	✓	12/24/48 VDC	–	-10 to 60°C
EDR-8010-VPN- 2GSFP-T	8	2	✓	✓	✓	12/24/48 VDC	–	-40 to 75°C
EDR-8010-VPN- 2GSFP-CT	8	2	✓	✓	✓	12/24/48 VDC	✓	-10 to 60°C
EDR-8010-VPN- 2GSFP-CT-T	8	2	✓	✓	✓	12/24/48 VDC	✓	-40 to 75°C

## Accessories (sold separately)

### Storage Kits

ABC-02-USB	Configuration backup and restoration tool, firmware upgrade, and log file storage tool for managed Ethernet switches and routers, 0 to 60°C operating temperature
ABC-02-USB-T	Configuration backup and restoration tool, firmware upgrade, and log file storage tool for managed Ethernet switches and routers, -40 to 75°C operating temperature

### SFP Modules

SFP-1G10ALC	WDM-type (BiDi) SFP module with 1 1000BaseSFP port with LC connector for 10 km transmission; TX 1310 nm, RX 1550 nm, 0 to 60°C operating temperature
SFP-1G10ALC-T	WDM-type (BiDi) SFP module with 1 1000BaseSFP port with LC connector for 10 km transmission; TX 1310 nm, RX 1550 nm, -40 to 85°C operating temperature
SFP-1G10BLC	WDM-type (BiDi) SFP module with 1 1000BaseSFP port with LC connector for 10 km transmission; TX 1550 nm, RX 1310 nm, 0 to 60°C operating temperature
SFP-1G10BLC-T	WDM-type (BiDi) SFP module with 1 1000BaseSFP port with LC connector for 10 km transmission; TX 1550 nm, RX 1310 nm, -40 to 85°C operating temperature
SFP-1G20ALC	WDM-type (BiDi) SFP module with 1 1000BaseSFP port with LC connector for 20 km transmission; TX 1310 nm, RX 1550 nm, 0 to 60°C operating temperature
SFP-1G20ALC-T	WDM-type (BiDi) SFP module with 1 1000BaseSFP port with LC connector for 20 km transmission; TX 1310 nm, RX 1550 nm, -40 to 85°C operating temperature
SFP-1G20BLC	WDM-type (BiDi) SFP module with 1 1000BaseSFP port with LC connector for 20 km transmission; TX 1550 nm, RX 1310 nm, 0 to 60°C operating temperature
SFP-1G20BLC-T	WDM-type (BiDi) SFP module with 1 1000BaseSFP port with LC connector for 20 km transmission; TX 1550 nm, RX 1310 nm, -40 to 85°C operating temperature
SFP-1G40ALC	WDM-type (BiDi) SFP module with 1 1000BaseSFP port with LC connector for 40 km transmission; TX 1310 nm, RX 1550 nm, 0 to 60°C operating temperature
SFP-1G40ALC-T	WDM-type (BiDi) SFP module with 1 1000BaseSFP port with LC connector for 40 km transmission; TX 1310 nm, RX 1550 nm, -40 to 85°C operating temperature
SFP-1G40BLC	WDM-type (BiDi) SFP module with 1 1000BaseSFP port with LC connector for 40 km transmission; TX 1550 nm, RX 1310 nm, 0 to 60°C operating temperature
SFP-1G40BLC-T	WDM-type (BiDi) SFP module with 1 1000BaseSFP port with LC connector for 40 km transmission; TX 1550 nm, RX 1310 nm, -40 to 85°C operating temperature
SFP-1GEZXL	SFP module with 1 1000BaseEZXL port with LC connector for 110 km transmission, 0 to 60°C operating temperature

SFP-1GEZXC-120	SFP module with 1 1000BaseEZ port with LC connector for 120 km transmission, 0 to 60°C operating temperature
SFP-1GLHLC	SFP module with 1 1000BaseLH port with LC connector for 30 km transmission, 0 to 60°C operating temperature
SFP-1GLHLC-T	SFP module with 1 1000BaseLH port with LC connector for 30 km transmission, -40 to 85°C operating temperature
SFP-1GLHXLC	SFP module with 1 1000BaseLHX port with LC connector for 40 km transmission, 0 to 60°C operating temperature
SFP-1GLHXLC-T	SFP module with 1 1000BaseLHX port with LC connector for 40 km transmission, -40 to 85°C operating temperature
SFP-1GLSXLC	SFP module with 1 1000BaseLSX port with LC connector for 1km/2km transmission, 0 to 60°C operating temperature
SFP-1GLSXLC-T	SFP module with 1 1000BaseLSX port with LC connector for 1km/2km transmission, -40 to 85°C operating temperature
SFP-1GLXLC	SFP module with 1 1000BaseLX port with LC connector for 10 km transmission, 0 to 60°C operating temperature
SFP-1GLXLC-T	SFP module with 1 1000BaseLX port with LC connector for 10 km transmission, -40 to 85°C operating temperature
SFP-1GSXLC	SFP module with 1 1000BaseSX port with LC connector for 300m/550m transmission, 0 to 60°C operating temperature
SFP-1GSXLC-T	SFP module with 1 1000BaseSX port with LC connector for 300m/550m transmission, -40 to 85°C operating temperature
SFP-1GZXLC	SFP module with 1 1000BaseZX port with LC connector for 80 km transmission, 0 to 60°C operating temperature
SFP-1GZXLC-T	SFP module with 1 1000BaseZX port with LC connector for 80 km transmission, -40 to 85°C operating temperature
SFP-1GTXRJ45-T	SFP module with 1 1000BaseT port with RJ45 connector for 100 m transmission, -40 to 75°C operating temperature

#### Mounting Kits

WK-40-01	Wall-mounting kit, 2 plates, 6 screws, 40 x 58 x 2 mm
----------	---

#### Software

LIC-MXsecurity-NEW-XN-SR	MXsecurity perpetual node license with customizable node quantity (minimum 1 node)
LIC-IPS-MXsecurity-NEW-1Y-XN-SR	1-year IPS license for MXsecurity with customizable node quantity (minimum 1 node)
LIC-IPS-MXsecurity-NEW-XM-XN-DMR	IPS license for MXsecurity with customizable duration and node quantity (minimum 1 month, minimum 1 node)
LIC-IPS-MXsecurity-RENEW-1Y-XN-SR	1-year IPS renewal license for MXsecurity with customizable node quantity (minimum 1 node)
LIC-IPS-MXsecurity-RENEW-XM-XN-DMR	IPS renewal license for MXsecurity with customizable duration and node quantity (minimum 1 month, minimum 1 node)
LIC-IPS-MXsecurity-ADD-1Q-XN-SR	3-month IPS add-on license for MXsecurity with customizable node quantity (minimum 1 node)
LIC-IPS-MXsecurity-ADD-2Q-XN-SR	6-month IPS add-on license for MXsecurity with customizable node quantity (minimum 1 node)
LIC-IPS-MXsecurity-ADD-3Q-XN-SR	9-month IPS add-on license for MXsecurity with customizable node quantity (minimum 1 node)
LIC-IPS-MXsecurity-ADD-4Q-XN-SR	1-year IPS add-on license for MXsecurity with customizable node quantity (minimum 1 node)
LIC-IPS-MXsecurity-ADD-XM-XN-DMR	IPS add-on license for MXsecurity with customizable duration and node quantity (minimum 1 month, minimum 1 node)
LIC-IPS-DEVICE-RENEW-1Y-1N-MR	1-year device-based IPS renewal license
LIC-IPS-DEVICE-NEW-1Y-1N-MR	1-year device-based IPS license

© Moxa Inc. All rights reserved. Updated Mar 06, 2024.

This document and any portion thereof may not be reproduced or used in any manner whatsoever without the express written permission of Moxa Inc. Product specifications subject to change without notice. Visit our website for the most up-to-date product information.